

# Specifications

## Wind-Free™ 1-Way Cassette R32

- 2-Step Cooling: Fast Cooling & Wind-Free™ Cooling.
- Blade angle between 37° and 87°, blade width 100 mm.
- Built-in humidity sensor.
- Height of only 152 mm.
- Built-in condensation drain pump (750 mmH2O).



Indoor Unit			AC026RN1DKG/EU	AC035RN1DKG/EU
Outdoor Unit - Mono-Phase			AC026RXADKG/EU	AC035RXADKG/EU
Outdoor Unit - Tri-Phase				
<b>Capacity</b>				
Cooling (Min/Nominal/Max)	Cooling (Min/Nominal/Max)	KW	0.82/2.60/3.80	0.85/3.50/4.20
	Heating @ +7 °C (Min/Nominal/Max)	KW	0.98/3.30/4.40	1.00/4.00/5.00
	Heating @ +5 °C	KW	3.2	3.9
	Heating @ +15 °C	KW	2.9	2.8
<b>Performance</b>				
Energy Efficiency Cooling	SEER <sup>1</sup>	W/W	6.4 <span style="color: green;">A++</span>	6.2 <span style="color: green;">A++</span>
	Power Consumption	kWh/a	142	198
	P <sub>designc</sub>	KW	2.60	3.50
	EER	W/W	3.61	3.21
Energy Efficiency Heating	SCOP <sup>1</sup>	W/W	4.0 <span style="color: green;">A+</span>	4.0 <span style="color: green;">A+</span>
	Power Consumption	kWh/a	700	700
	P <sub>designh</sub> (average)	KW	2.0	2.0
	COP <sup>1</sup>	W/W	3.26	3.12
Airflow Rate	Indoor Unit (H/M/L)	m <sup>3</sup> /min	7.3/6.5/5.8	9.0/8.2/7.2
Sound Power	Indoor Unit	dB(A)	52	55
	Outdoor Unit	dB(A)	59	61
Sound Pressure	Indoor Unit (H/M/L/Silent)	dB(A)	32/29/26/25	35/32/29/28
	Outdoor Unit (H/L)	dB(A)	47/46	48/48
Fan/Outdoor Unit	Type		Crossflow Fan	Crossflow Fan
	Power	W	27	27
	Number of Fans	-	1	1
External Static Pressure	Min/Std/Max	Pa		
Operating Temperature Range	Cooling	°C	-15~46	-15~46
	Heating	°C	-20.0~24.0	-20.0~24.0
<b>Electrical Data</b>				
Power Source	Indoor Unit	Φ, V, Hz	10, 2, 220~240 V, 50 Hz	10, 2, 220~240 V, 50 Hz
	Outdoor Unit Mono-Phase	Φ, #, V, Hz	10, 2, 220~240 V, 50 Hz	10, 2, 220~240 V, 50 Hz
	Outdoor Unit Tri-Phase	Φ, #, V, Hz		
Compressor Type	Indoor Unit	Type	Single Bl.DC	Single Bl.DC
	Power (Min/Nominal/Max)	KW	0.17/0.72/1.16	0.18/1.09/1.40
Current Input	Cooling (Min/Std/Max)	A	1.2/3.8/5.4	1.6/5.3/7.5
	Heating (Min/Std/Max)	A	1.4/5.0/7.0	1.3/6.2/10.5
	Cooling = Tri-Phase (Min/Std/Max)	A		
	Heating = Tri-Phase (Min/Std/Max)	A		
<b>Dimensions</b>				
Net Dimensions (W x H x D)	Indoor Unit	mm	970 x 135 x 410	970 x 135 x 410
	Outdoor Unit	mm	790 x 548 x 285	790 x 548 x 285
Net Weight	Indoor Unit	kg	9.2	9.2
	Outdoor Unit	kg	32.5	32.5



Indoor Unit			AC026RN1DKG/EU	AC035RN1DKG/EU
Outdoor Unit - Mono-Phase			AC026RXADKG/EU	AC035RXADKG/EU
Outdoor Unit - Tri-Phase				
<b>Refrigerant</b>				
Refrigerant	Type		R32 (contains fluorinated greenhouse gases. GWP = 675)	
	Factory Charging	kg	0.9/2.0 m	0.9/2.0 m
	Charging Ton equivalent CO <sub>2</sub>	tCO <sub>2</sub> e	0.61	0.61
	Additional Refrigerant Charging	g/m	-	-
Piping Connections	Liquid Pipe	ø, Inch	1/4	1/4
	Gas Pipe	ø, Inch	3/8	3/8
Piping Length	Min/Max	m	3/20	3/20
Piping Height	Max	m	15	15
Piping Connections	Drain Pipe	ø, mm	ID 18	ID 18
<b>Others</b>				
Panel	Model Code		PC1NWFMAN	PC1NWFMAN
	Net Dimensions (W x H x D)	mm	1,198 x 35 x 500	1,198 x 35 x 500
	Net Weight	kg	4.3	4.3
Accessories	Drain Pump		Included	Included
	Max. Lifting Height/Displacement	mm / litres/h	750/24	750/24

### Accessories



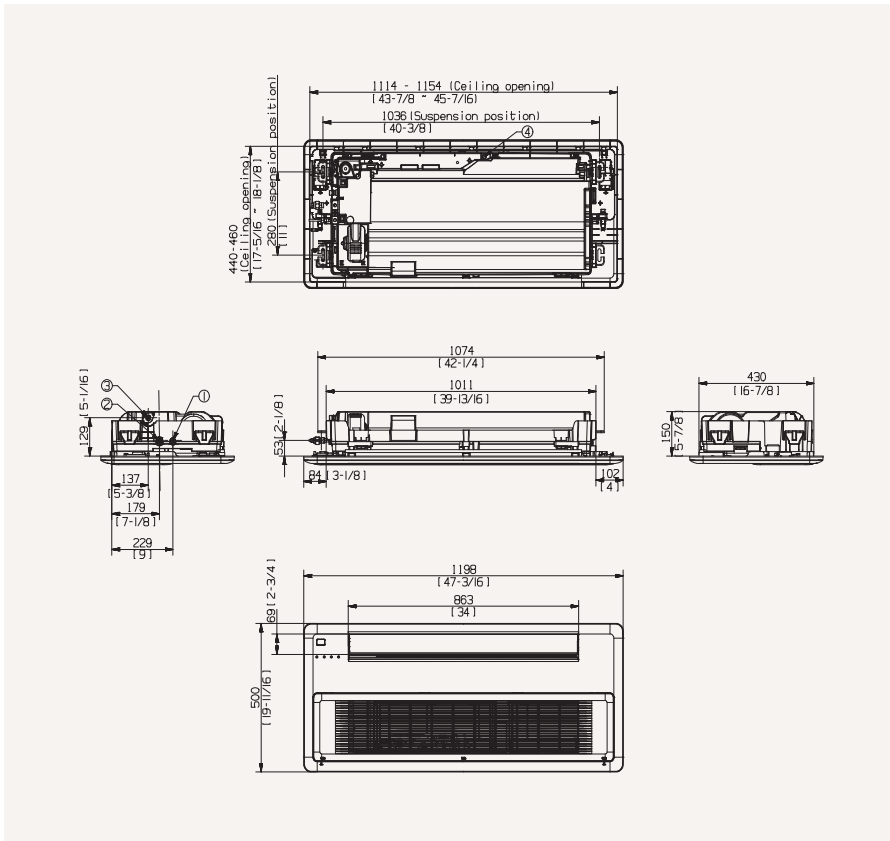
Wireless Remote Controller	Simple Type Controller	Touch Controller	Advanced Wired Controller	Wi-Fi Kit	Panel (Mandatory)	External Thermostat
AR-EH03E	MWR-SH00N	MWR-SH11N	MWR-WG00JN/ MWR-WG00KN	MJM-H04EN	PC4NUJMAN	MRW-2A

<sup>1</sup>Energy labels as shown are according to EU No 626/2011 (LOT10) label classification 2019, on a scale from D to A+++.

# Dimensional drawings

## Wind-Free™ 1-Way Cassette

AC026/035MN1DKH/EU



NO	Name	Description
1	Liquid pipe connection	ø6.35 (1/4)
2	Gas pipe connection	ø9.52 (3/8)
3	Drain pipe connection	VP20 (OD 26, ID 20)
4	Power supply/communication wiring conduits	

