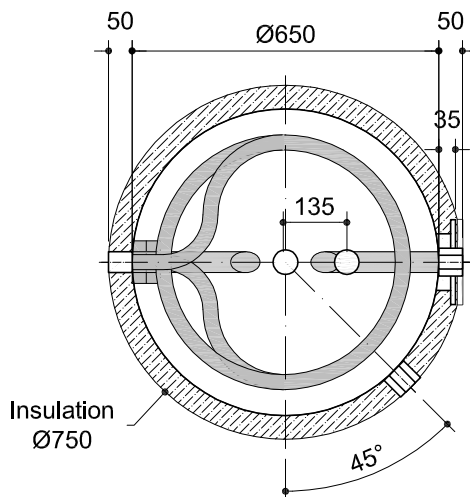
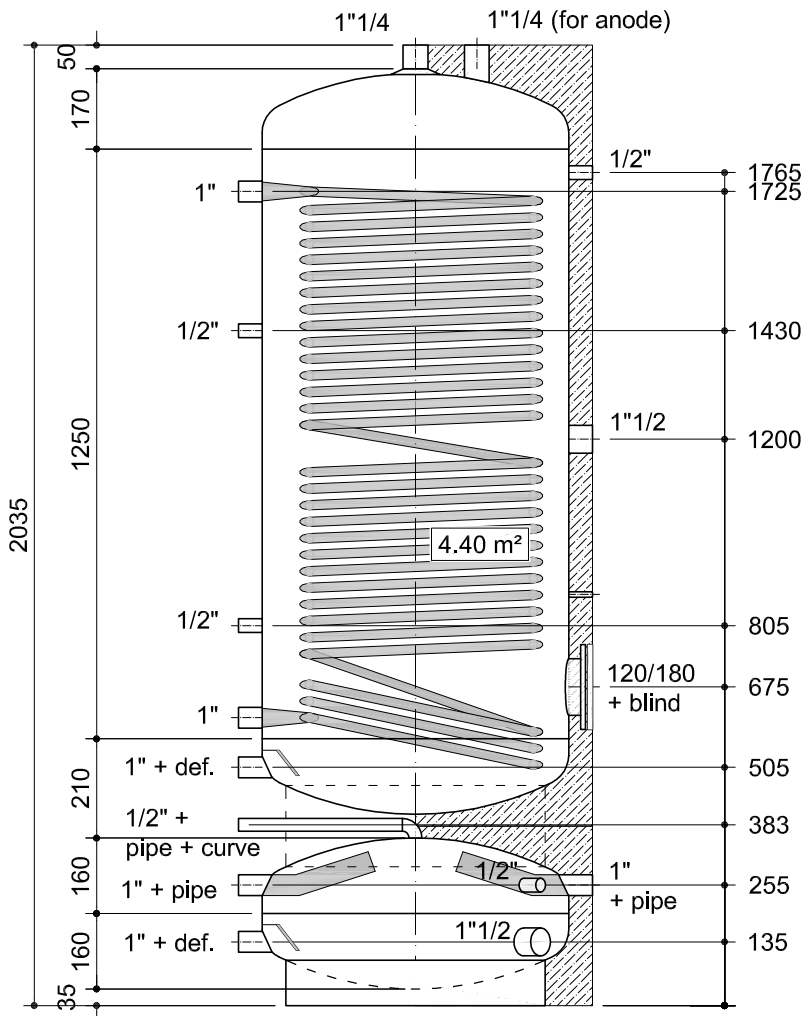


INSULATION: HARD PU 50 mm + SKY RAL 9006



**N° 1 Pcs.**  
**SAMHYBRID 500 R**

**CUSTOMER: SAMTEC**  
**ORDER N.: email**  
**DATE: 26.09.2017**

**MATERIAL: ST 235 JR**  
**EXTERNAL TREAT.: PAINTED**  
**INTERNAL TREAT.: ENAMELLED**  
**WORKING PRESSURE: 8 bar**

-	-	-	-
-	-	-	-
-	-	-	-
-	-	-	-
MATERIAL: ST 235 JR	WEIGHT: ≈ Kg	WORKING PRESSURE / TEST: 8 bar / 12 bar	
EXTERNAL TREATMENT: PAINTED	INTERNAL TREATMENT: ENAMELLED	V	F

**tml** s.r.l.  
**INDUSTRIE LODDO**  
**INNOVATIVE TANK SOLUTIONS**  
www.tmlgroup.it  
Tel 0861-927003 / Fax 0861-927024

DESIGNED BY: Giuliano	APPROVED: Ing. Buccigrossi	DATE: 03.10.2017
CUSTOMER: SAMTEC	ORDER N°: email	SCALE: TAB. N°:
DESCRIPTION : N° 1 Pcs SAMHYBRID 500 R		DRAWING CODE:

The TML reserves the right to make constructional improvements of the product or changes without notice. This drawing cannot be copied, reproduced or shown to third parties without our approval.