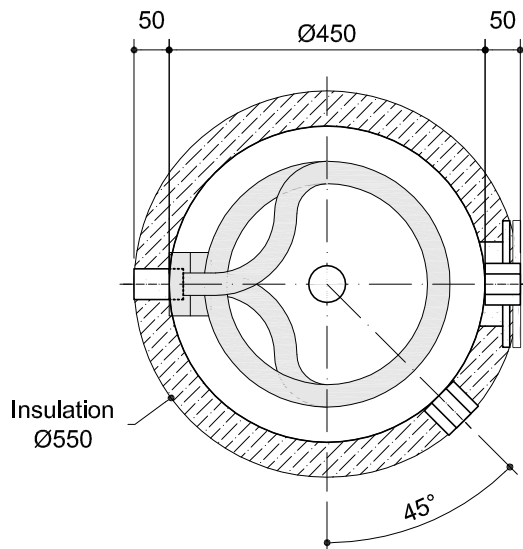
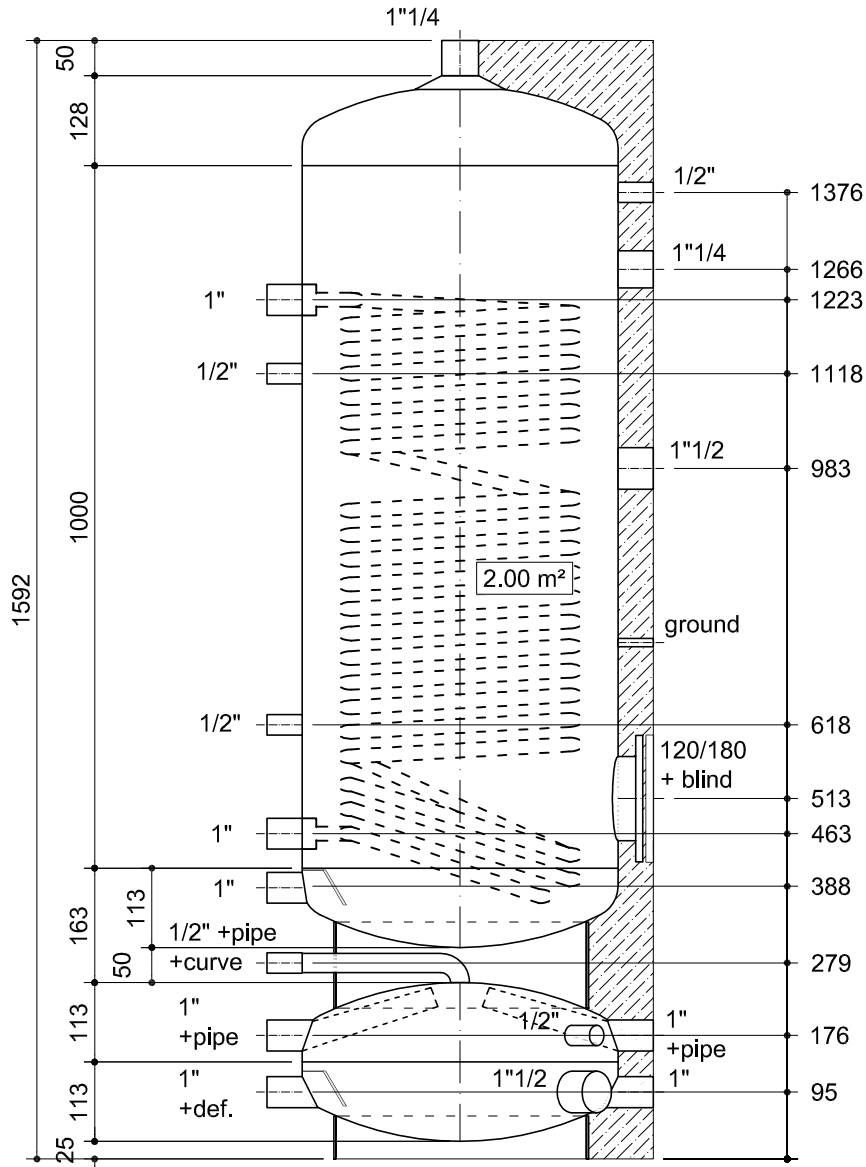


INSULATION: HARD PU 50 mm + SKY RAL 9006



**N° 6 Pcs.  
SAMHYBRID200R**

**CUSTOMER: SAMTEC**  
**ORDER N.: email**  
**DATE: 11.10.2017**

**MATERIAL: ST2135JR**  
**EXTERNAL TREAT.: ENAMELLED**  
**INTERNAL TREAT.: ENAMELLED**  
**WORKING PRESSURE: 8 bar**

-	-	-	-
-	-	-	-
-	-	-	-
-	-	-	-
MATERIAL: ST2135JR	WEIGHT: ≈70 Kg	WORKING PRESSURE / TEST: 8 bar / 12 bar	
EXTERNAL TREATMENT: ENAMELLED	INTERNAL TREATMENT: ENAMELLED	V	F

**INDUSTRIE LODDO**  
**INNOVATIVE TANK SOLUTIONS**  
www.tmlgroup.it  
Tel 0861-927003 / Fax 0861-927024

DESIGNED BY: Giuliano	APPROVED: Ing.Buccigrossi	DATE: 13.10.2017
CUSTOMER: SAMTEC	ORDER N.: email	SCALE: TAB. N°:
DESCRIPTION : N° 6 Pcs SAMHYBRID200R		DRAWING CODE: 

The TML reserves the right to make constructional improvements of the product or changes without notice. This drawing cannot be copied, reproduced or shown to third parties without our approval.